



Series RT  
Patent No. 7, 150, 425

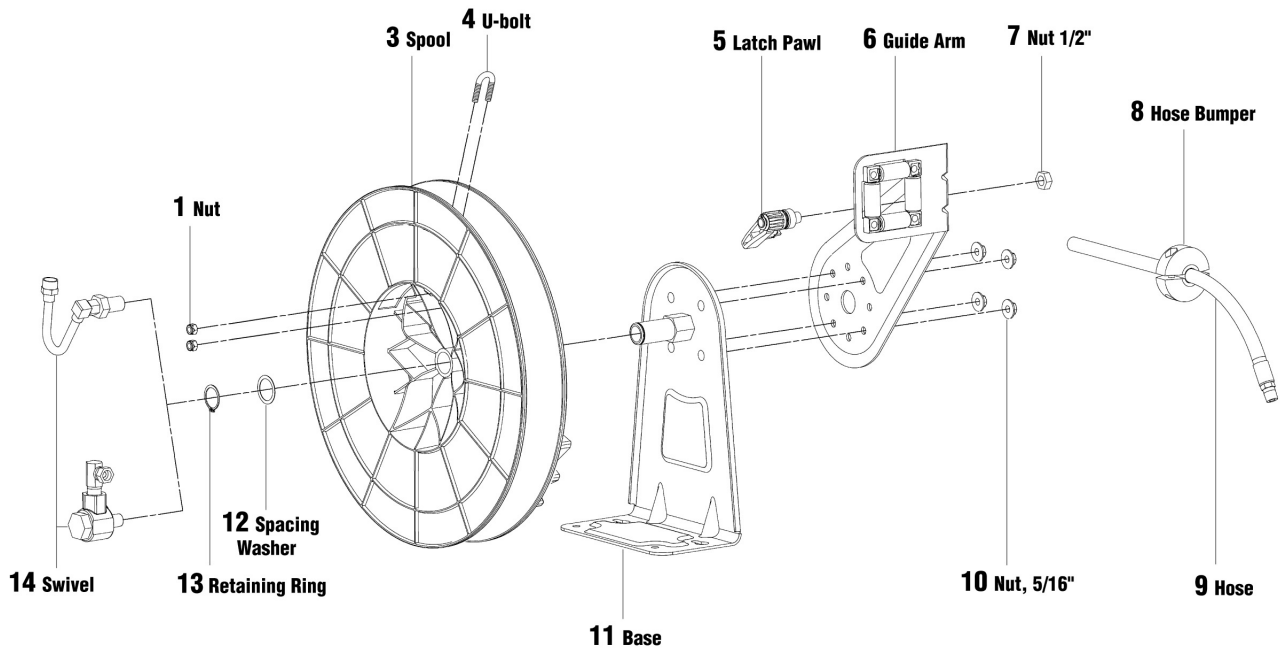
---

## Series RT Spring Driven Hose Reels

# Operating Instructions

Thank you for purchasing a  
Reelcraft product. We wish you  
success in the critical function it  
will provide you in your business,  
home or garage. We invite your  
comments, ideas and suggestions.  
Someone is waiting to talk with you  
at 1-800-444-3134.

# Exploded View - Low Pressure Model



**Low Pressure, all 1/4" hose models - 25, 35 and 50 foot long hose and 3/8" hose models - 25 and 35 foot long hose models only**  
 (RT402-OLP, RT425-OLP, RT403-OLP, RT435-OLP, RT405-OLP, RT450-OLP, RT602-OLP, RT625-OLP, RT603-OLP, RT635-OLP)

Item	Description	Qty.	Part Number
1	Nut 1/4"	2	261650-1
3	Spool/Drive Spring	1	S600827
	RT405-OLP & RT450-OLP only	1	S600860
4	U-Bolt 1/4" and 3/8" Hose	1	3-117440
5	Latch Pawl	1	S600823
6	Guide Arm	1	S600825
7	Nut 1/2"	1	S76-108
8	Hose Bumper 1/4" Hose	1	1-HR1004A
	Hose Bumper 3/8" Hose	1	1-HR1004
9	Hose 1/4" ID x 25ft Low Pres.	1	601001-25
	Hose 1/4" ID x 35ft Low Pres.	1	601001-35
	Hose 1/4" ID x 50ft Low Pres.	1	601001-50
	Hose 3/8" ID x 25ft Low Pres.	1	601013-25
	Hose 3/8" ID x 35ft Low Pres.	1	601013-35
10	Nut 5/16"	4	**
11	Base Assembly	1	600824
12	Spacing Washer	1	*
13	Retaining Ring	1	*
14	Swivel	1	S600886

\* Included in Hardware Kit S600897

\*\* Included in Hardware Kit S600900

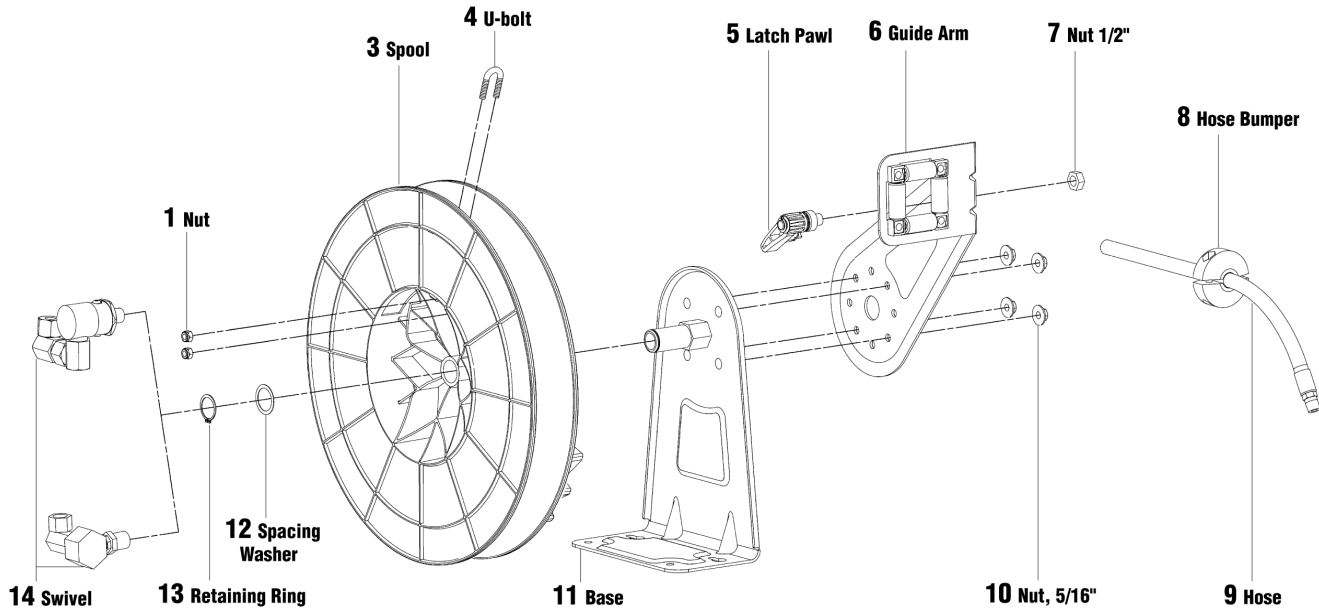
**Low Pressure, 3/8" hose- 50 foot long hose models, All 1/2" hose models**  
 (RT605-OLP, RT650-OLP, RT802-OLP, RT825-OLP, RT803-OLP, RT835-OLP, RT805-OLP, RT850-OLP)

Item	Description	Qty.	Part Number
1	Nut 1/4"	2	*
2	Washer	2	*
3	Spool/Drive Spring	1	S600879
	RT605 & RT650 only	1	S600828
	RT805 & RT850 only	1	S602011
4	U-Bolt 3/8" and 1/2" Hose	1	3-117440
5	Latch Pawl	1	S600823
6	Guide Arm	1	S600826
	Guide Arm (RT805 & RT850)	1	S602014
7	Nut 1/2"	1	S76-108
8	Hose Bumper 3/8" Hose	1	1-HR1004
	Hose Bumper 1/2" Hose	1	A2-HR1004-3
9	Hose 3/8" ID x 50ft	1	601013-50
	Hose 1/2" ID x 25ft	1	601020-25
	Hose 1/2" ID x 35ft	1	601022-35
	Hose 1/2" ID x 50 ft	1	601022-50
10	Nut 5/16"	4	**
11	Base Assembly	1	600833
	Base Assembly RT805, RT850	1	S602012
12	Spacing Washer	1	*
13	Retaining Ring	1	*
14	Swivel 3/8" RT605, RT650 only	1	S600886
	Swivel 1/2"	1	S600914-1

\* Included in Hardware Kit S600897

\*\* Included in Hardware Kit S600900

# Exploded View - Medium/High Pressure Models



## Medium Pressure, all 3/8" hose models, High Pressure, all 1/4" models, 3/8" 25 foot hose models

(RT602-OMP, RT625-OMP, RT603-OMP, RT635-OMP, RT605-OMP, RT650-OMP, RT402-OHP, RT425-OHP, RT403-OHP, RT435-OHP, RT602-OHP, RT625-OHP)

## Medium Pressure, all 1/2" hose models

RT802-OMP, RT825-OMP, RT803-OMP, RT835-OMP

## High Pressure, 3/8", 35 foot hose models

RT603-OHP, RT635-OHP

Item	Description	Qty	Part Number
1	Nut 1/4"	2	261650-1
3	Spool/Drive Spring	1	S600878
	Spool/Drive Spring (RT605-OMP & RT650-OMP)	1	S602011
4	U-Bolt 1/4" and 3/8" Hose	1	3-117440
5	Latch Pawl	1	S600823
6	Guide Arm	1	S600825
	Guide Arm (RT605-OMP & RT650-OMP)	1	S602014
7	Nut 1/2"	1	S76-108
8	Hose Bumper 1/4" & 3/8" Hose	1	1-HR1004
	Hose 3/8" ID x 25ft Med. Pressure	1	12-260043
	Hose 3/8" ID x 35ft Med. Pressure	1	44-260043
	Hose 1/4" ID x 25ft High Pressure	1	10-260044
	Hose 1/4" ID x 35ft High Pressure	1	20-260044
	Hose 3/8" ID x 25ft High Pressure	1	25-260044
9	Hose 3/8" ID x 50ft Med. Pressure	1	46-260043
	Hose 3/8" ID x 35ft High Pres.	1	24-260044
10	Nut 5/16"	4	**
11	Base Assembly	1	600824
	Base Assembly (RT605-OMP & RT650-OMP)	1	602012
12	Spacing Washer	1	**
13	Retaining Ring	1	**
14	Swivel, Med. Pressure 3/8"	1	S600913-1
	Swivel, High Pressure 1/4"	1	S600905
	Swivel, High Pressure 3/8"	1	S600906

Item	Description	Qty.	Part Number
1	Nut 1/4"	2	*
2	Washer	2	*
3	Spool/Drive Spring	1	S600879
4	U-Bolt 3/8" and 1/2" Hose	1	3-117440
5	Latch Pawl	1	S600823
6	Guide Arm	1	S600826
7	Nut 1/2"	1	S76-108
8	Hose Bumper 3/8" Hose	1	1-HR1004
	Hose Bumper 1/2" Hose	1	2-HR1004-3
9	Hose 1/2" ID x 25ft Med. Pres.	1	21-260043
	Hose 1/2" ID x 35ft Med. Pres.	1	37-260043
10	Hose 1/2" ID x 25ft High Pres.	1	21-260043
	Hose 3/8" ID x 35ft High Pres.	1	24-260044
11	Base Assembly	1	600833
12	Spacing Washer	1	*
13	Retaining Ring	1	*
14	Swivel, Med. Pressure 1/2"	1	S600914-1
	Swivel, High Pressure 3/8"	1	S600906

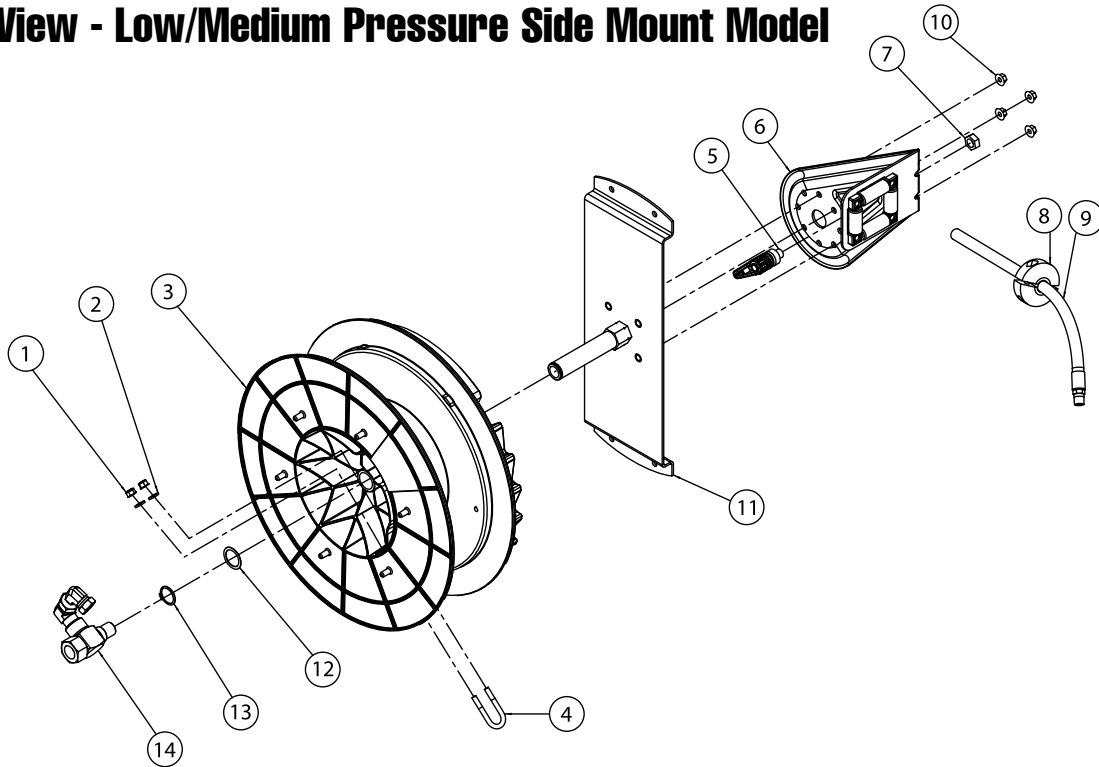
\* Included in Hardware Kit S600897

\*\* Included in Hardware Kit S600900

\* Included in Hardware Kit S600897

\*\* Included in Hardware Kit S600900

# Exploded View - Low/Medium Pressure Side Mount Model



## Low Pressure 1/4" hose model - 50 foot long hose (RT450-OLPSM)

Item	Description	Qty.	Part Number
1	Nut 1/4"	2	261650-1
3	Spool/Drive Spring	1	600860
4	U-Bolt 1/4" and 3/8" Hose	1	*
5	Latch Pawl	1	S600823
6	Guide Arm	1	S600825
7	Nut 1/2"	1	S76-108
8	Hose Bumper 1/4" Hose	1	A1-HR1004-A
9	Hose 1/4" ID x 50ft Low Pres.	1	601001-50
10	Nut 5/16"	4	**
11	Shaft & Bracket Assembly	1	602263
12	Spacing Washer	1	*
13	Retaining Ring	1	*
14	Swivel	1	602330

## Medium Pressure 3/8" hose model - 50 foot long hose (RT650 OMPSM)

Item	Description	Qty	Part Number
1	Nut 1/4"	2	261650-1
3	Spool/Drive Spring	1	S602011
4	U-Bolt 1/4" and 3/8" Hose	1	*
5	Latch Pawl	1	S600823
6	Guide Arm	1	S602014
7	Nut 1/2"	1	S76-108
8	Hose Bumper	1	A1-HR1004-3
9	Hose 3/8" ID x 50ft Med. Pressure	1	46-260043
10	Nut 5/16"	4	**
11	Shaft & Bracket Ass'y	1	602265
12	Spacing Washer	1	*
13	Retaining Ring	1	*
14	Swivel, Med. Pressure 3/8"	1	602329

## Low Pressure, 3/8" hose- 50 foot long hose models, All 1/2" hose models

(RT650-OLPSM, RT835-OLPSM, RT850-OLPSM)

Item	Description	Qty.	Part Number
1	Nut 1/4"	2	*
2	Washer	2	*
3	Spool/Drive Spring - RT835 only	1	S600879
	Spool/Drive Spring - RT650 only	1	S600828
	Spool/Drive Spring - RT850 only	1	S602011
4	U-Bolt 3/8" and 1/2" Hose	1	*
5	Latch Pawl	1	S600823
6	Guide Arm	1	S600826
	Guide Arm - RT850 only	1	S602014
7	Nut 1/2"	1	S76-108
8	Hose Bumper 3/8" Hose	1	A1-HR1004
	Hose Bumper 1/2" Hose	1	A2-HR1004-3
9	Hose 3/8" ID x 50ft	1	601013-50
	Hose 1/2" ID x 35ft	1	601022-35
	Hose 1/2" ID x 50 ft	1	601022-50
10	Nut 5/16"	4	**
11	Base Assembly	1	602264
	Shaft & Bracket Ass'y - RT850 only	1	602265
12	Spacing Washer	1	*
13	Retaining Ring	1	*
14	Swivel 3/8" - RT650 only	1	602262
	Swivel 1/2"	1	602311

\* Included in Hardware Kit S600897

\*\* Included in Hardware Kit S600900

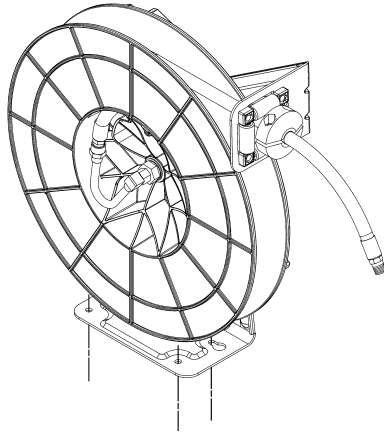


figure 1

## Mounting the Hose Reel

Prior to mounting the hose reel, ensure that the supply line pressure does not exceed the maximum working pressure of the hose reel.

Do not exceed the maximum installation height of 16' unless the reel was specified differently when ordering. The maximum operating temperature is 150°F (66°C).

Unpack and inspect the reel for damage. Turn the spool by hand to check for a smooth operation.

Position the reel on the floor, wall or ceiling. Secure into place using four mounting bolts (not included). See the included mounting template for additional instructions for your specific mounting application. Depending on where the reel is placed, it may be necessary to adjust the hose bumper and guide arm to use the hose properly. See the instructions on the next page to adjust the hose bumper and reposition the guide arm.

## Mounting Applications

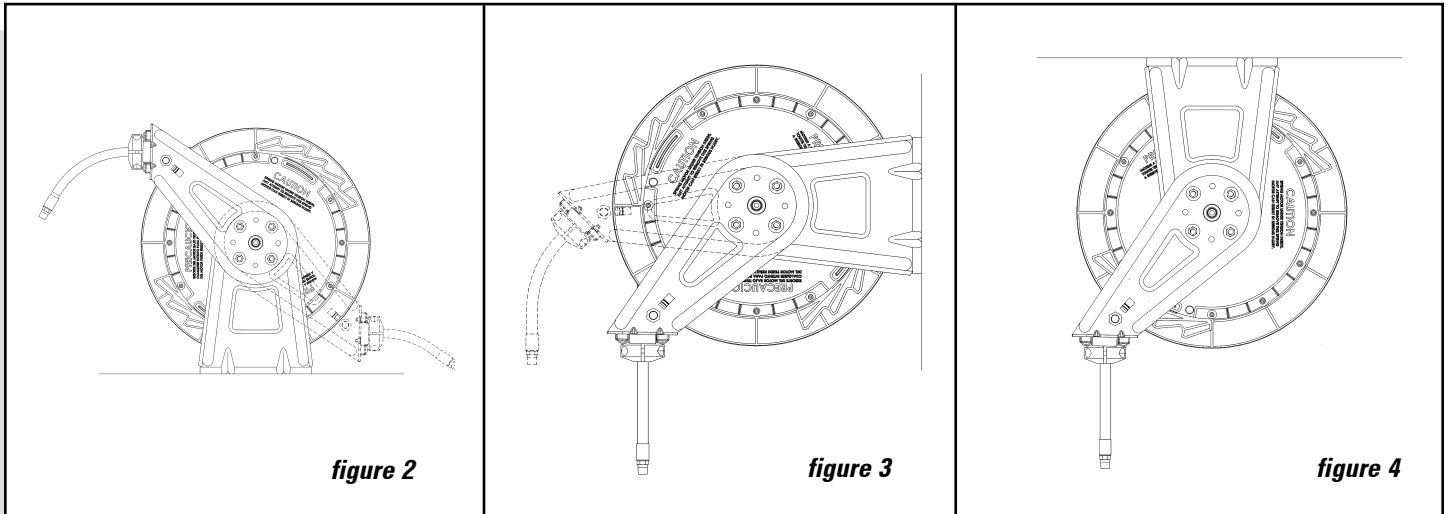


figure 2

figure 3

figure 4

## Installing the Input Hose

Use a flexible hose connection at input. Do not use rigid plumbing. (input hose not included)

Apply pipe thread sealant to threads on standard reels.

Do not over tighten the connection. Recommended torque should not exceed 70 ft./lb.

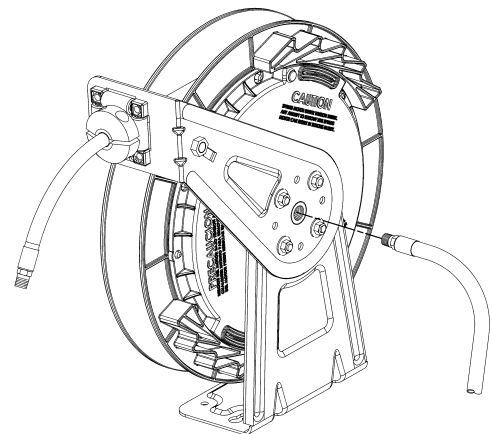


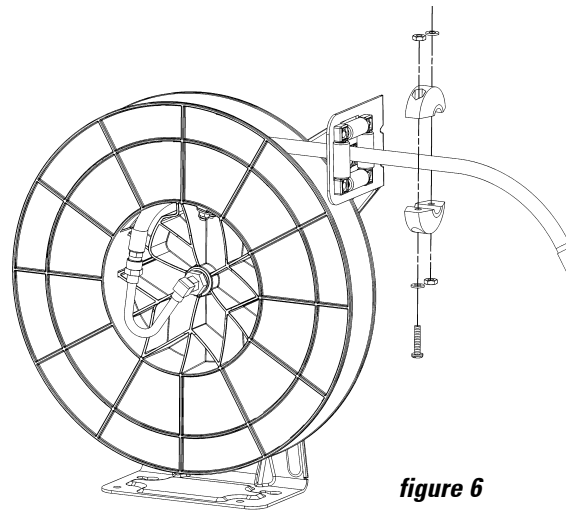
figure 5

## Adjusting the Hose Bumper

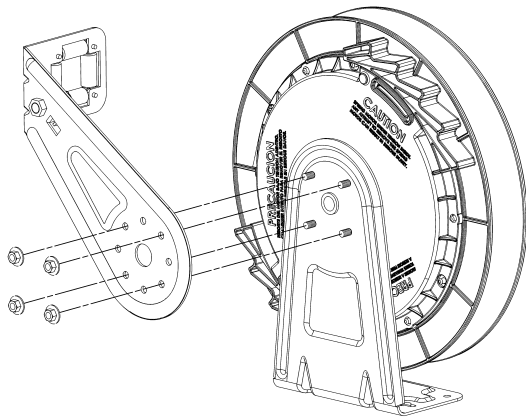
Pull out the hose until the latch pawl is engaged.

The hose bumper may be adjusted by loosening the slotted screws shown in *figure 6*.

Slide the bumper to the desired position and tighten the screws **BEFORE PULLING HOSE** to disengage the latch pawl.



**figure 6**



**figure 7**

## Removing the Guide Arm

Pull out hose until the latch pawl is engaged. Remove bumper by removing the slotted screws (*figure 6*).

Disengage the latch pawl while maintaining a firm hold on spool. Turn the spool hand over hand approximately two or three revolutions in the direction of the drive spring until tension is removed.

Remove the 4 nuts holding the guide arm to base (*figure 7*).

## Positioning the Guide Arm

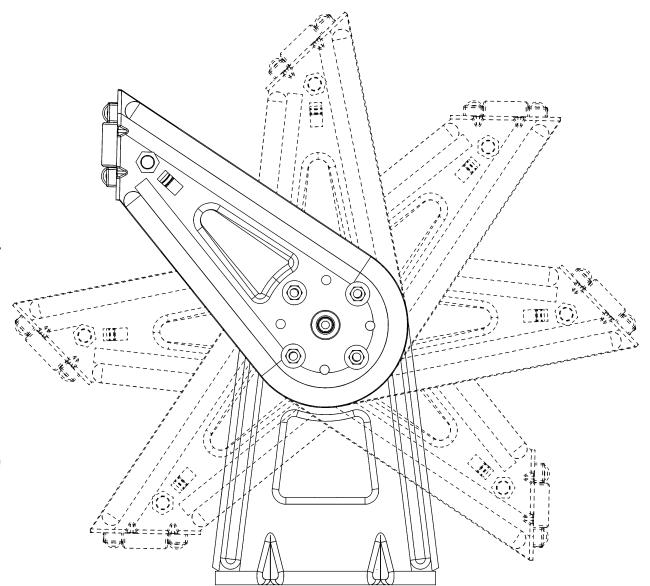
Remove the guide arm and adjust to any of the seven positions shown in *figure 8*.

See *figures 2, 3, and 4*, for recommended Guide Arm positions for each mounting application.

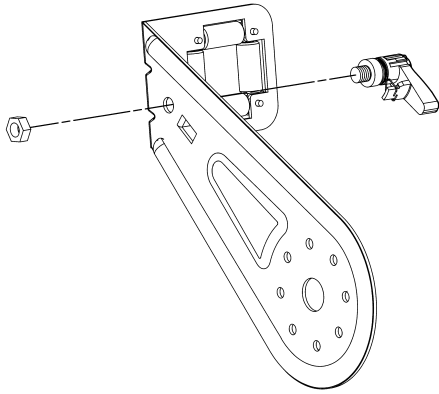
Replace and tighten the 4 nuts.

Tighten the drive spring by turning the spool two or three revolutions and engage the latch pawl.

Pull the hose through the roller opening in the guide arm and replace the hose bumper (*figure 6*)



**figure 8**



**figure 9**

## Replacing the Latch Pawl

Remove the guide arm by following the procedure for “Removing the Guide Arm”. Remove the retaining nut as shown in *figure 9*.

Replace the latch pawl assembly.

Replace and tighten the retaining nut.

Replace the guide arm and hose bumper by following the procedure for “Positioning the Guide Arm”.

## Replacing the Hose

### To remove the hose

Pull out the hose leaving 2 to 3 feet on the spool. Engage the latch pawl. Remove the U-bolt nuts on the inside of the spool (*figure 10*). Remove the U-bolt.

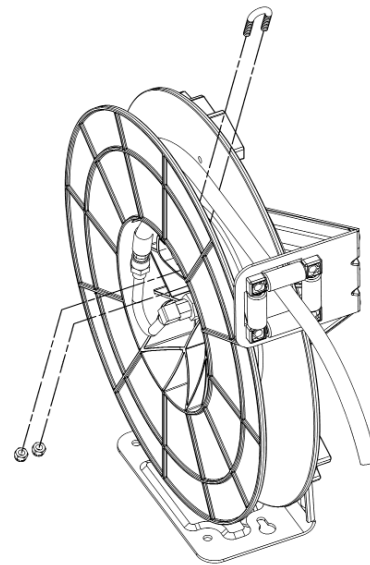
Unthread the hose at the connection to the swivel tube. Use a wrench on both fittings or the swivel may be damaged. Remove the hose.

### To install the hose

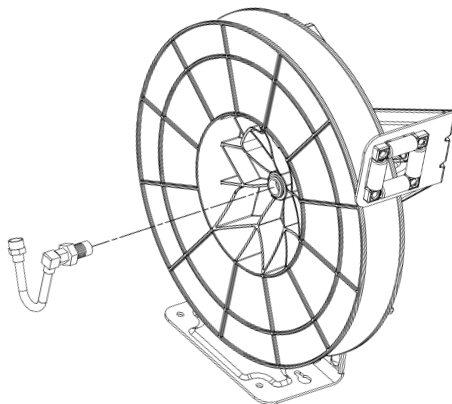
Route the hose through the guide arm rollers and opening of the spool. Apply thread tape or sealant to hose threads.

Screw hose fitting into threaded fitting on swivel. Tighten connection with a wrench on both fittings. Install the U-bolt (*figure 10*). Install hose bumper on working end of hose if required.

Disengage latch pawl and allow hose to retract.



**figure 10**



**figure 11**

## Replacing the Swivel

Remove the hose.

See the procedure for “Replacing the Hose”.

Remove swivel by unscrewing the threaded stem from the main shaft (*figure 11*).

Replace swivel by screwing threaded stem of swivel into main shaft of reel. Replace the hose.

## Replacing the Spool Assembly

Attach the reel securely to prevent it from moving. Pull out the hose just until the latch pawl is engaged. Remove the hose bumper by removing the slotted screws (*figure 6*).

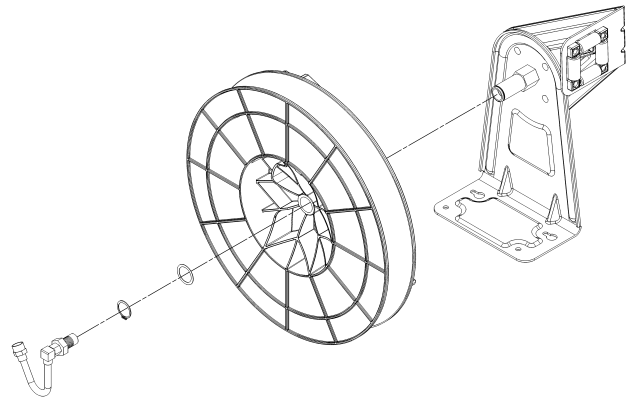
Disengage the latch pawl while maintaining a firm hold on the spool. Turn the spool hand over hand approximately two or three revolutions until the spring tension is removed.

Unscrew the swivel stem from the main shaft. Next, remove the swivel by unscrewing the swivel from the hose (*figure 11*). Remove the retaining ring and spacing washer (*figure 12*). Pull the spool away from the base. Unwind the hose from the spool, remove the u-bolt (*figure 10*).

Install the spool assembly by inserting the shaft of the base into the hex shaped opening of the spool. Install spacing washer and retaining ring as shown (*figure 12*). Install the swivel by screwing the threaded stem of swivel into the main shaft of reel (*figure 11*).

Install the hose by screwing the hose fitting into the threaded fitting on the swivel. Tighten connection with a wrench on both fittings. Install the u-bolt (*figure 10*).

Pull in the hose by turning the spool by hand. When the hose is completely wound onto the spool, turn the spool in the other direction two to three revolutions. Pull the hose through the roller opening in the guide arm and replace the hose bumper (*figure 6*).



**figure 12**



### Important Safety Precautions



- Bleed fluid/air pressure from the system before servicing reel.
- Ensure that the reel is properly installed before connecting hoses.
- Before connecting reel to supply line, ensure that pressure does not exceed the maximum working pressure rating of the reel. Remember, even low pressure is dangerous and can cause injury or death.
- If a leak occurs in the hose or reel, remove system pressure immediately.
- A high tension spring assembly under compression is enclosed in a tamper resistant compartment. Do not open.
- Pull hose from reel by grasping the hose, not the attached tool.
- If reel ceases to unwind or rewind, remove system pressure immediately. Do not pull or jerk on the hose.